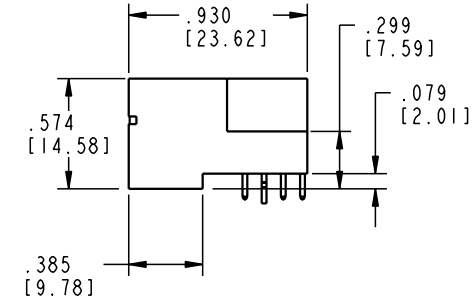
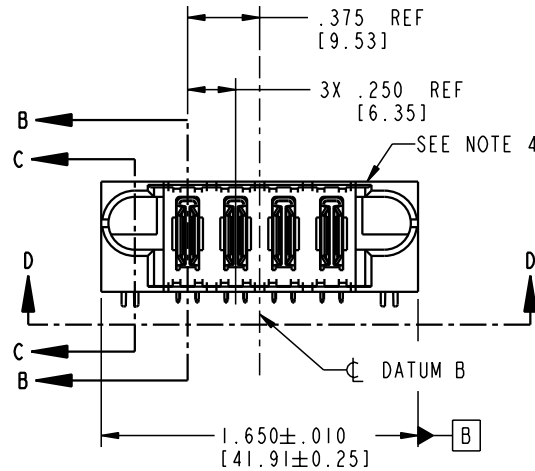
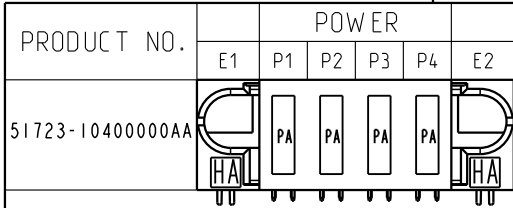


Tous droits strictement réservés. Reproduction ou communication o des tiers interdite sous quelque forme que ce soit sans autorisation écrite du propriétaire. Propriété de c FCI. Droits de reproduction FCI.



All rights strictly reserved. Reproduction or issue to third parties in any form whatever is not permitted without written authority from the proprietor. Property of FCI. Copyright FCI.



CODE	DIM "M" MATING LENGTH	CONTACT TYPE
PA	N/A [N/A]	POWER
HA	N/A [N/A]	HOLD-DOWN

mat'l code				SEE NOTE 2		tolerances unless otherwise specified		CUSTOMER		ELECTRONICS www.fciconnect.com	
ltr	ecn no.	dr	date	linear	.XX±.01/0.X±0.3		COPY		title		
A	V11522	JWS	5/1/01		.XXX±.005/0.XX±0.13		projection		4P		
B	V12845	JWS	1/4/02		.XXX±.0020/0.XXX±0.051				RIGHT ANGLE SOLDER HEADER		
				angles	0°±?				product family		code
				dr	J. SHAFFER	1/4/02	INCH/MM		PwrBlade		213
				engr	M. MOSTOLLER	1/4/02	scale		size		sheet
				chr	M. MOSTOLLER	1/4/02	1:1		A 51723-10400000AA		1 of 4
				appd	M. MOSTOLLER	1/4/02					
sheet index	revision sheet	B 1	B 2	B 3	B 4						

cage code 22526

Pro/E

PDM: Rev:B

STATUS: Released

Printed: Aug 12, 2007

Tous droits strictement réservés. Reproduction ou communication o des tiers interdite sous quelque forme que ce soit sans autorisation écrite du propriétaire. Propriete de c FCI. Droits de reproduction FCI.



All rights strictly reserved. Reproduction or issue to third parties in any form, whenever is not permitted without written authority from the proprietor. Property of FCI. Copyright FCI.

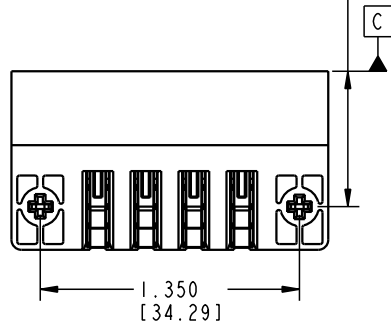
PRODUCT NUMBER
51723-10400000AA

1 | 2

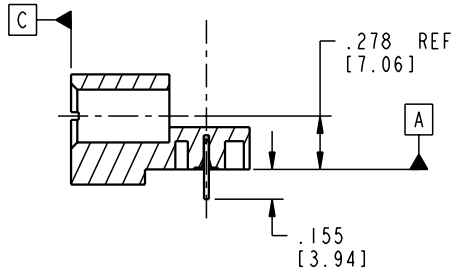
3 |

4

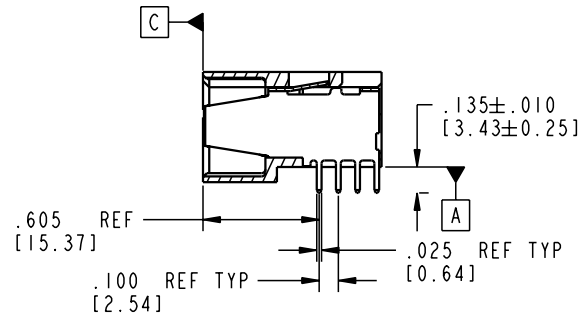
2X .705 REF
[17.91]



SECTION D-D



SECTION C-C



SECTION B-B

mat'l code				SEE NOTE 2		tolerances unless otherwise specified		CUSTOMER		ELECTRONICS www.fciconnect.com	
ltr	ecm no.	dr	date	linear	.XX ± .01/0.X ± 0.3		COPY		 projection	title	
B					.XXX ± .005/0.XX ± 0.13		INCH/MM			4P	
				angles	.XXX ± .0020/0.XXX ± 0.051		 scale		RIGHT ANGLE SOLDER HEADER		
				dr	J. SHAFFER	1/4/02	product family		PwrBlade	code	
				enr	M. MOSTOLLER	1/4/02	size		dwg no	213	
				chr	M. MOSTOLLER	1/4/02	A		51723-10400000AA	sheet	
				appd	M. MOSTOLLER	1/4/02	1:1			2 of 4	
sheet index		revision sheet									

1 | 2

Pro/E

3 |

cage code 22526

4

PDM: Rev:B

STATUS: Released

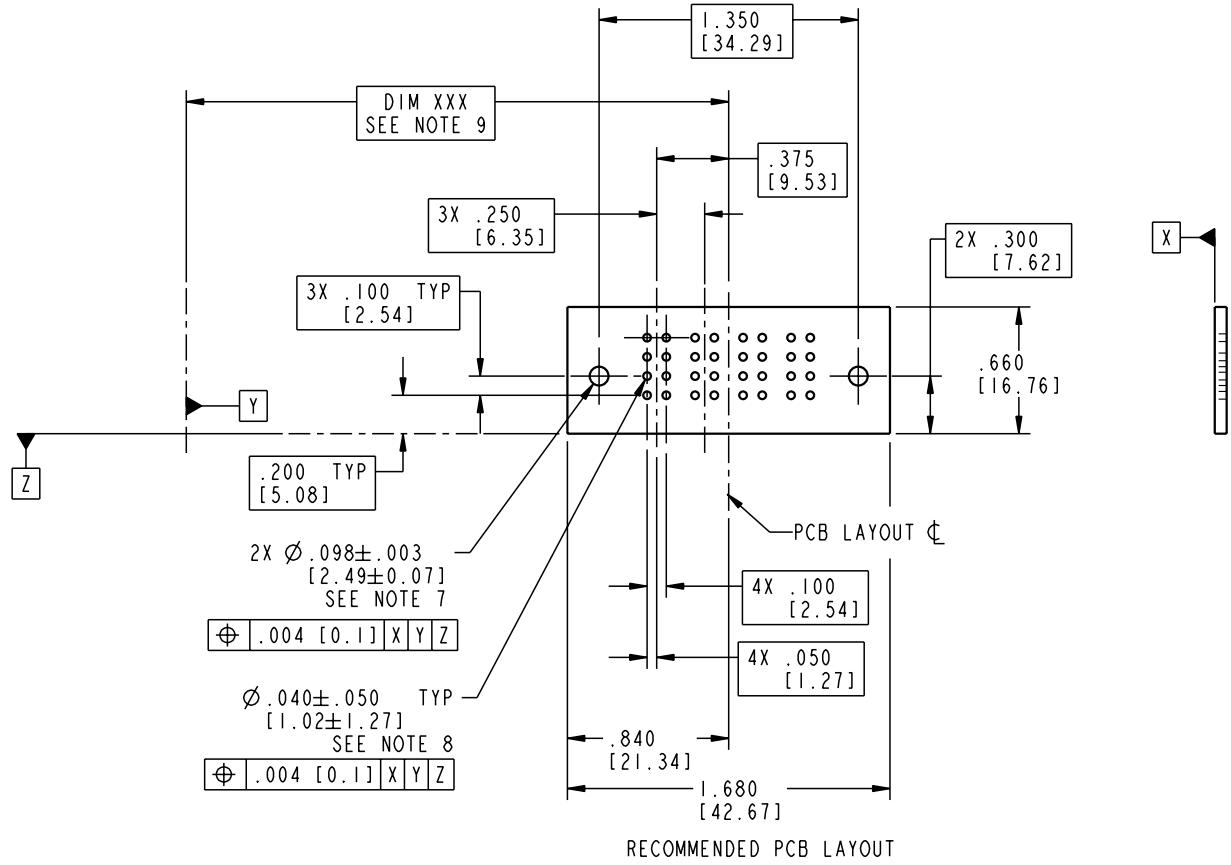
Printed: Aug 12, 2007

Tous droits strictement reserves. Reproduction ou communication a des tiers interdite sous quelque forme que ce soit sans autorisation ecrite du proprietaire. Propriete de c FCI. Droits de reproduction FCI.



All rights strictly reserved. Reproduction or issue to third parties in any form whatever is not permitted without written authority from the proprietor. Property of FCI. Copyright FCI.

PRODUCT NUMBER
51723-10400000AA



mat'l code				SEE NOTE 2		tolerances unless otherwise specified		CUSTOMER		ELECTRONICS www.fciconnect.com	
ltr	ecn no.	dr	date	linear	.XX±.01/0.X±0.3		COPY		 INCH/MM scale 1:1	title	
B					.XXX±.005/0.XX±0.13		projection			4P	
					.XXX±.0020/0.XXX±0.051					RIGHT ANGLE SOLDER HEADER	
				angles	0°±?		dr		product family		
							engr		PwrBlade		
							chr		code		
							appd		213		
sheet index		revision sheet						size		sheet	
								A		3 of 4	
								51723-10400000AA			

cage code 22526

Pro/E

Tous droits strictement réservés. Reproduction ou communication o des tiers interdite sous quelque forme que ce soit sans autorisation écrite du propriétaire. Propriete de c FCI. Droits de reproduction FCI.



All rights strictly reserved. Reproduction or issue to third parties in any form, whatever is not permitted without written authority from the proprietor. Property of FCI. Copyright FCI.

PRODUCT NUMBER
51723-10400000AA

NOTES:

1. DIMENSIONS AND TOLERANCES ARE IN ACCORDANCE WITH ASME Y14.5M, 1994 UNLESS OTHERWISE SPECIFIED.

CONNECTORS NOTES:

② HOUSING MATERIAL: UL 94 V-0 GLASS FILLED HIGH TEMP THERMO PLASTIC
POWER CONTACT MATERIAL: COPPER ALLOY
SIGNAL PIN MATERIAL: COPPER ALLOY

3. PLATING:

SIGNAL PINS: 30u"/0.76um Au OVER 50u"/1.27um Ni
POWER CONTACTS: 50u"/1.27um Ni UNDER ALL WITH 30u"/0.76um Au ON CONTACT AREA AND SnPb ON PCB INTERFACE

④ "MANUFACTURER" NAME, P/N, AND DATE CODE TO APPEAR ON THIS SURFACE.

5. PRODUCT SPECIFICATION GS-12-149.

PCB - NOTES:

6. ALL HOLE DIAMETERS ARE FINISHED HOLE SIZE.

⑦ HOLD DOWN THROUGH HOLES ARE UNPLATED.

⑧ $\varnothing .0453 \pm 0.0010$ [1.151 \pm 0.025] DRILLED HOLES PLATED WITH 0.0003 [0.008] MIN SnPb OVER .001 [0.03] TO .003 [0.08] Cu PLATING TO ACHIEVE $\varnothing .040 \pm .003$ [1.02 \pm .07] HOLE.

⑨ "DIM XXX" TO BE DETERMINED BY THE CUSTOMER.

mat'l code				SEE NOTE 2		tolerances unless otherwise specified		CUSTOMER		ELECTRONICS www.fciconnect.com	
ltr	ecr no.	dr	date	linear	.XX±.01/0.X±0.3		COPY		projection	title	
B					.XXX±.005/0.XX±0.13		INCH/MM			4P	
				angles	.XXX±.0020/0.XX±0.051		1:1		RIGHT ANGLE SOLDER HEADER		
				dr	J. SHAFFER	1/4/02	product family		PwrBlade	code	
				enr	M. MOSTOLLER	1/4/02	size		dwg no	213	
				chr	M. MOSTOLLER	1/4/02	A		51723-10400000AA		sheet
				appd	M. MOSTOLLER	1/4/02					4 of 4
sheet index	revision sheet										

1 | 2

Pro/E

3 |

cage code 22526

4

PDM: Rev:B

STATUS: Released

Printed: Aug 12, 2007